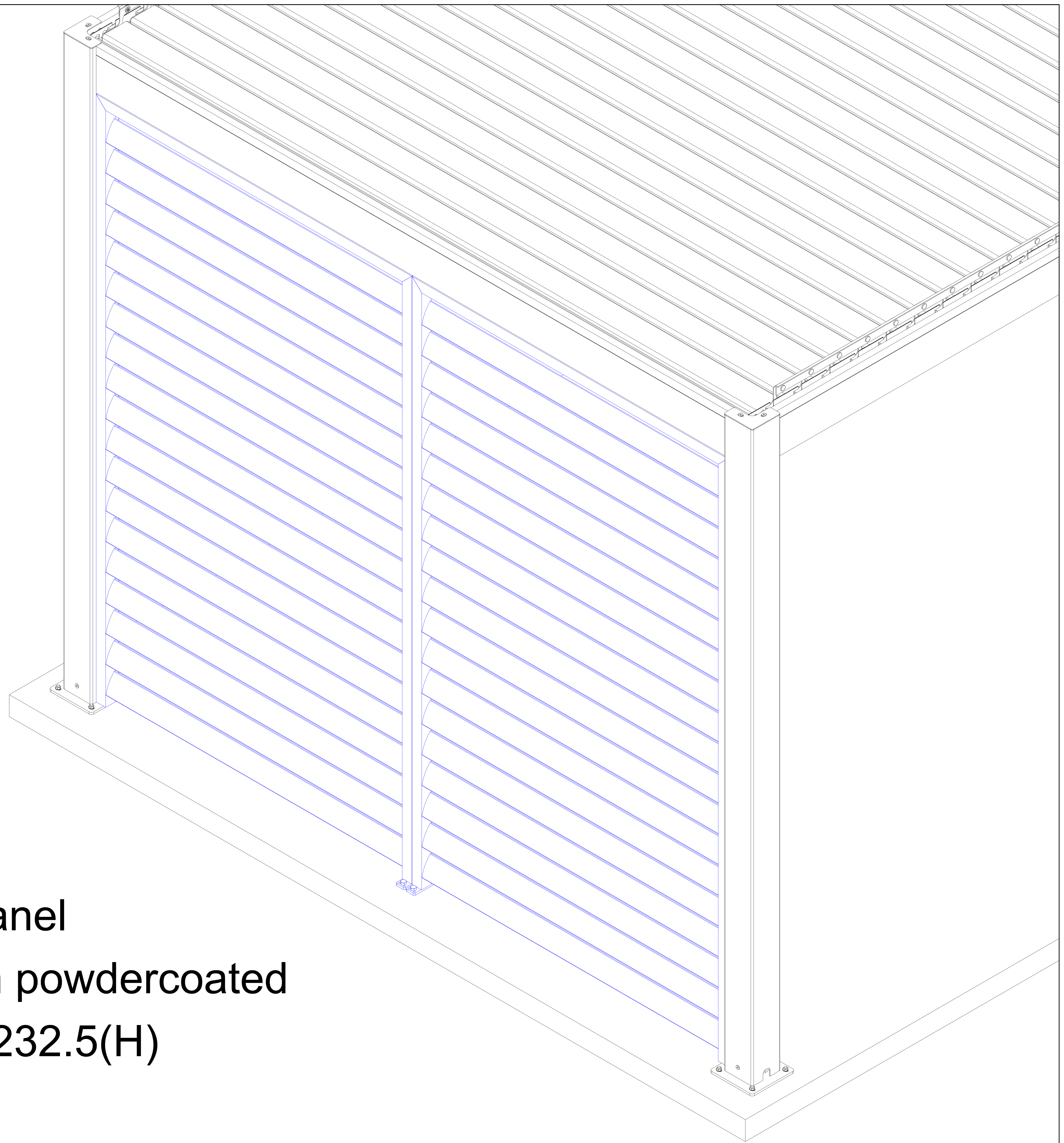


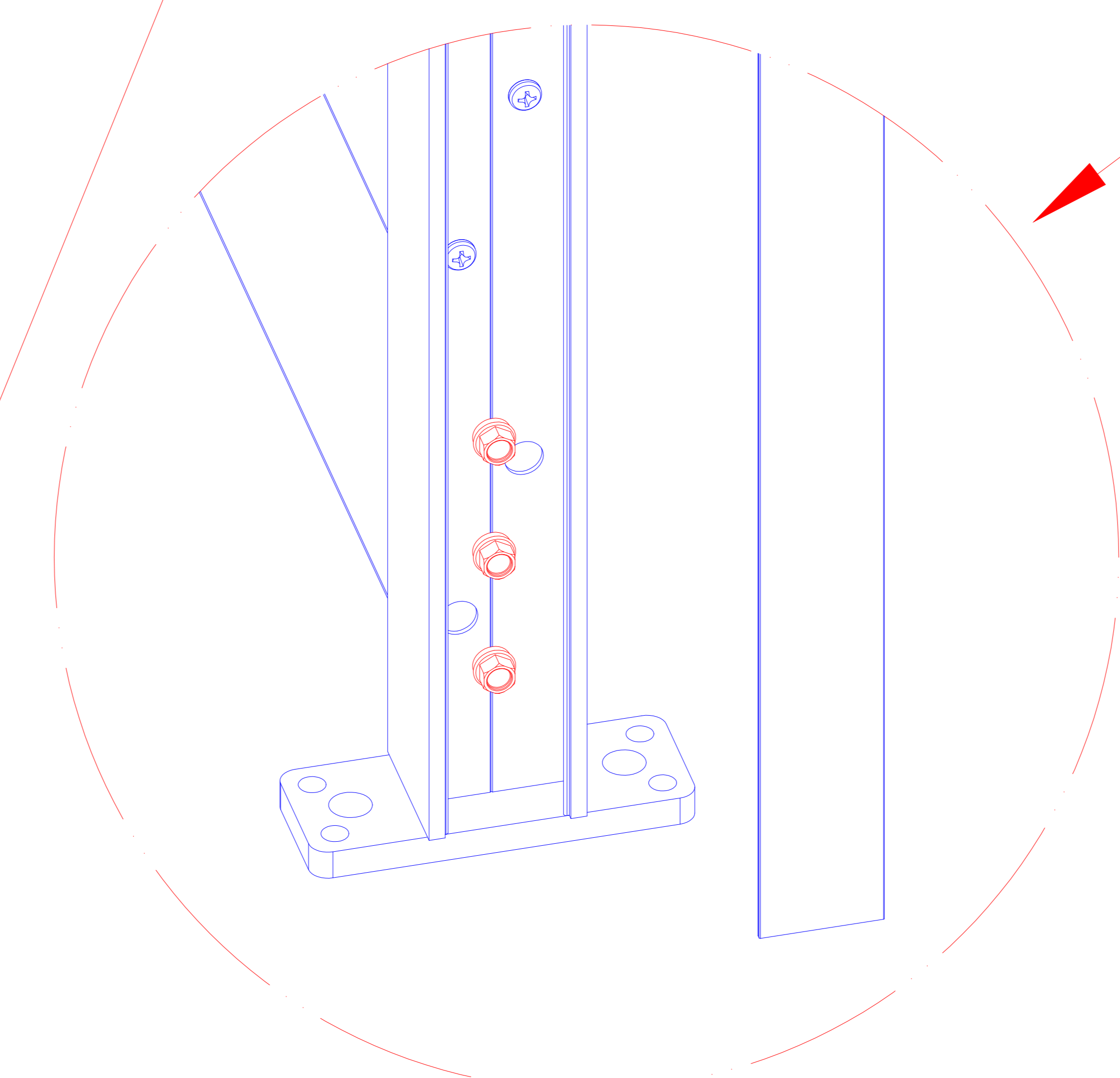
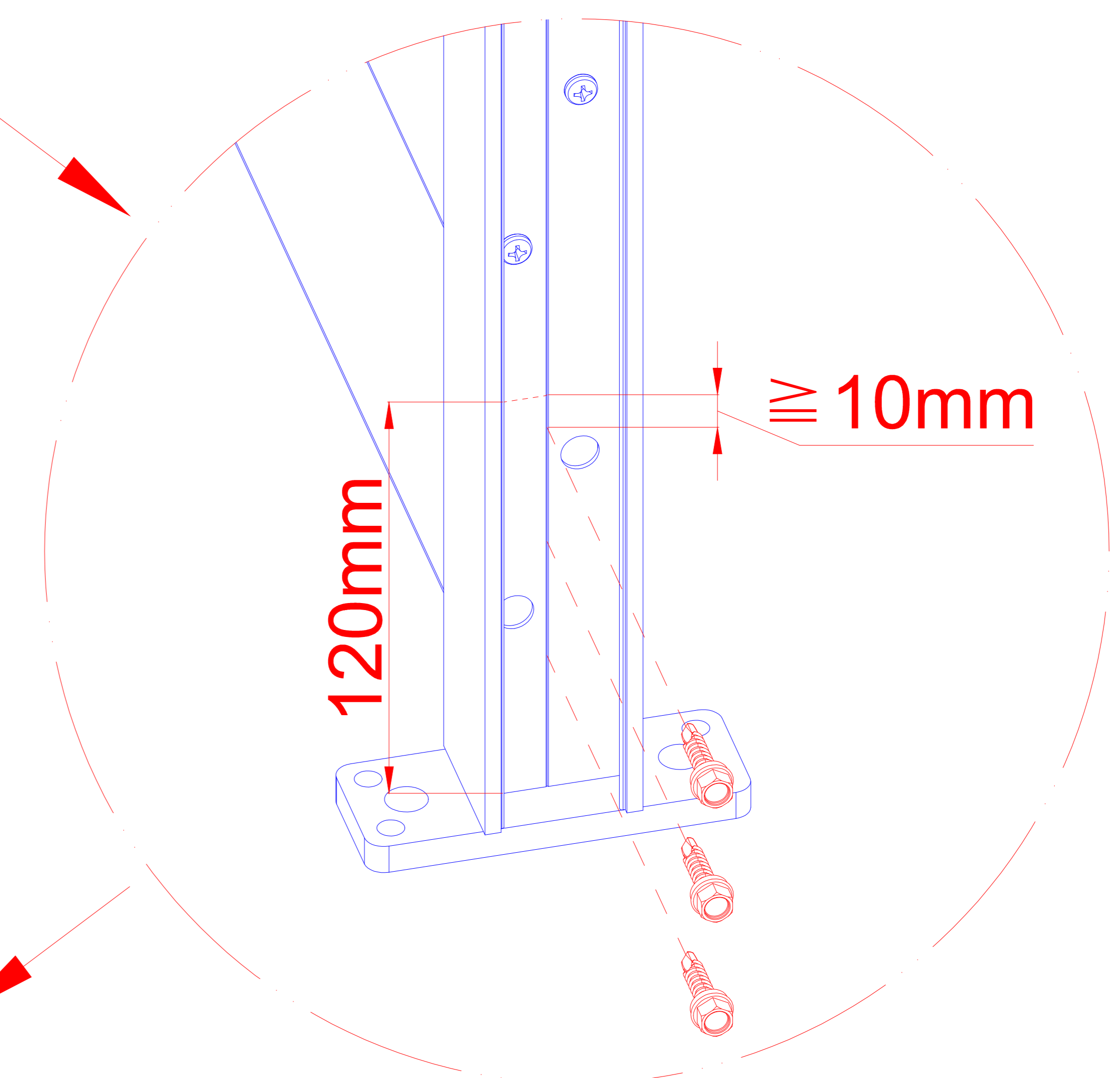
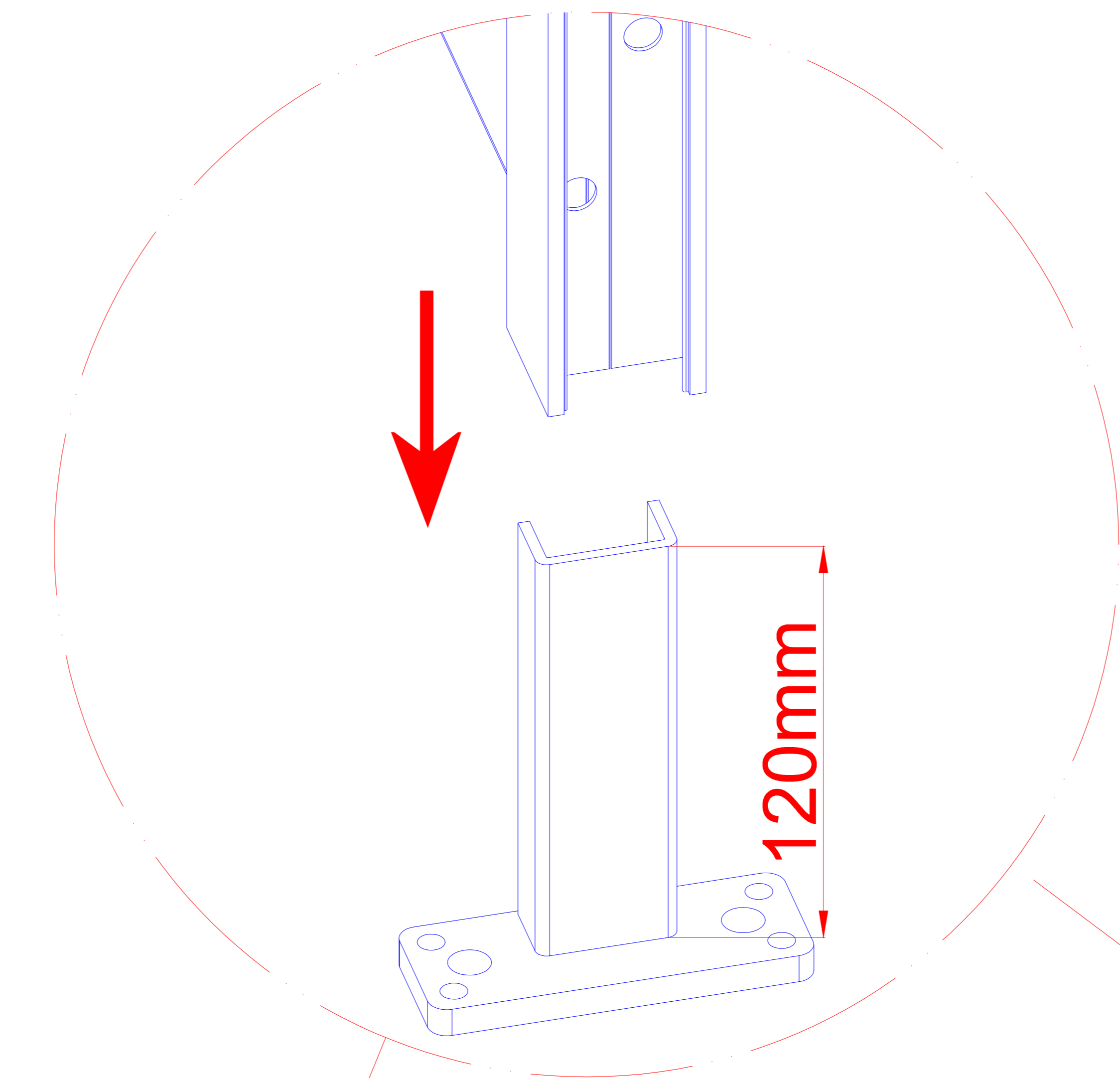
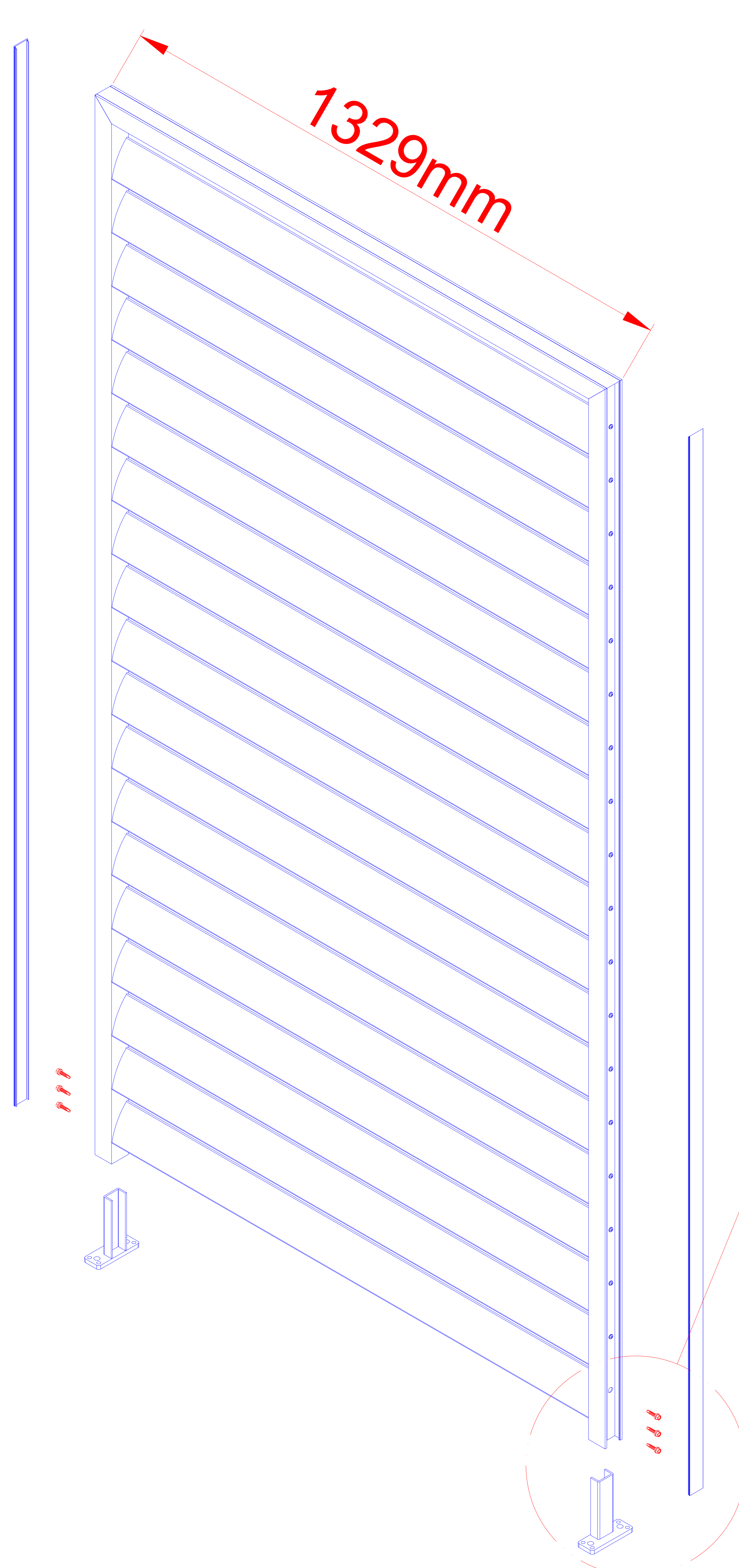
REMANSO
luxury aluminium pergolas



Fixed Shutter Fence Panel

Colour : gray aluminum powdercoated

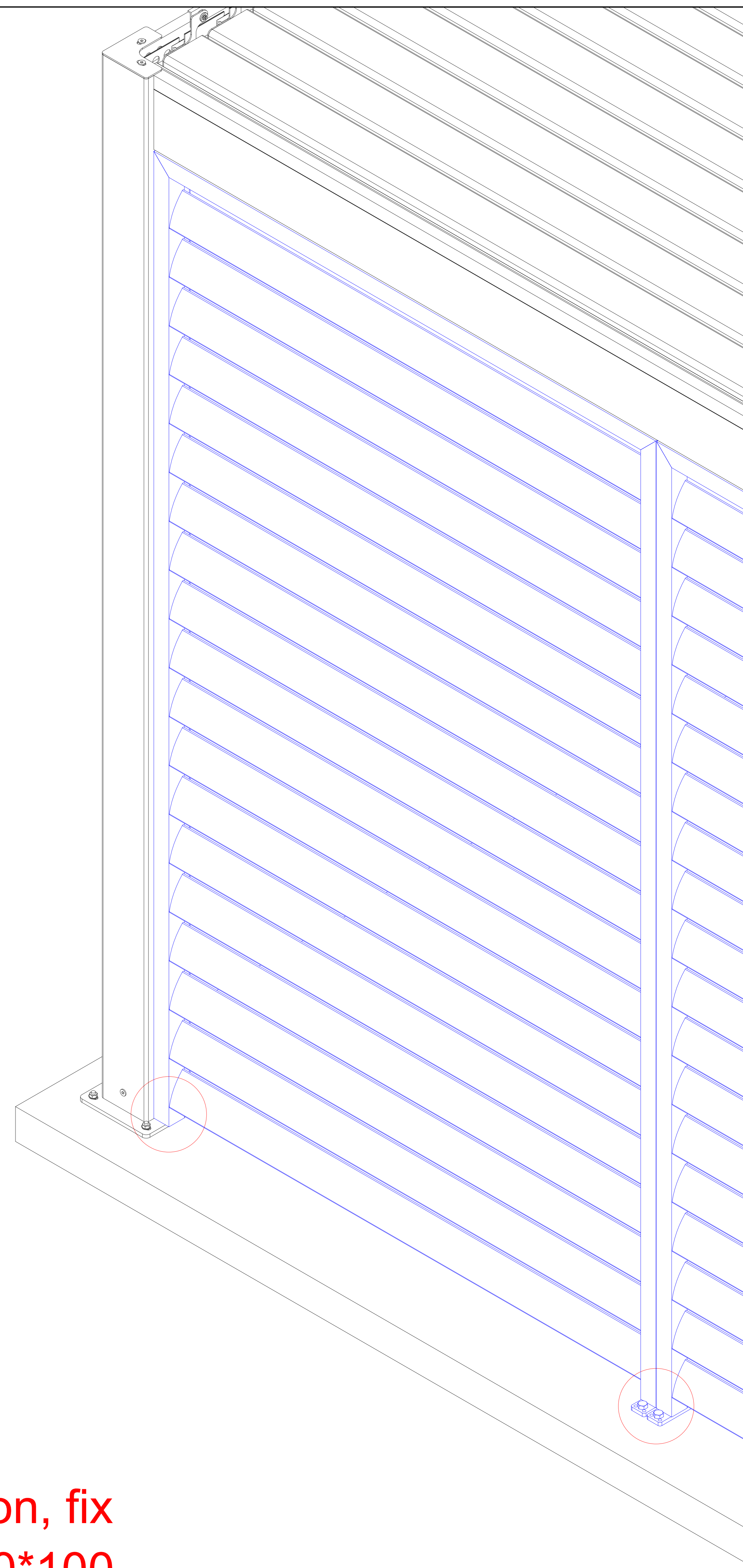
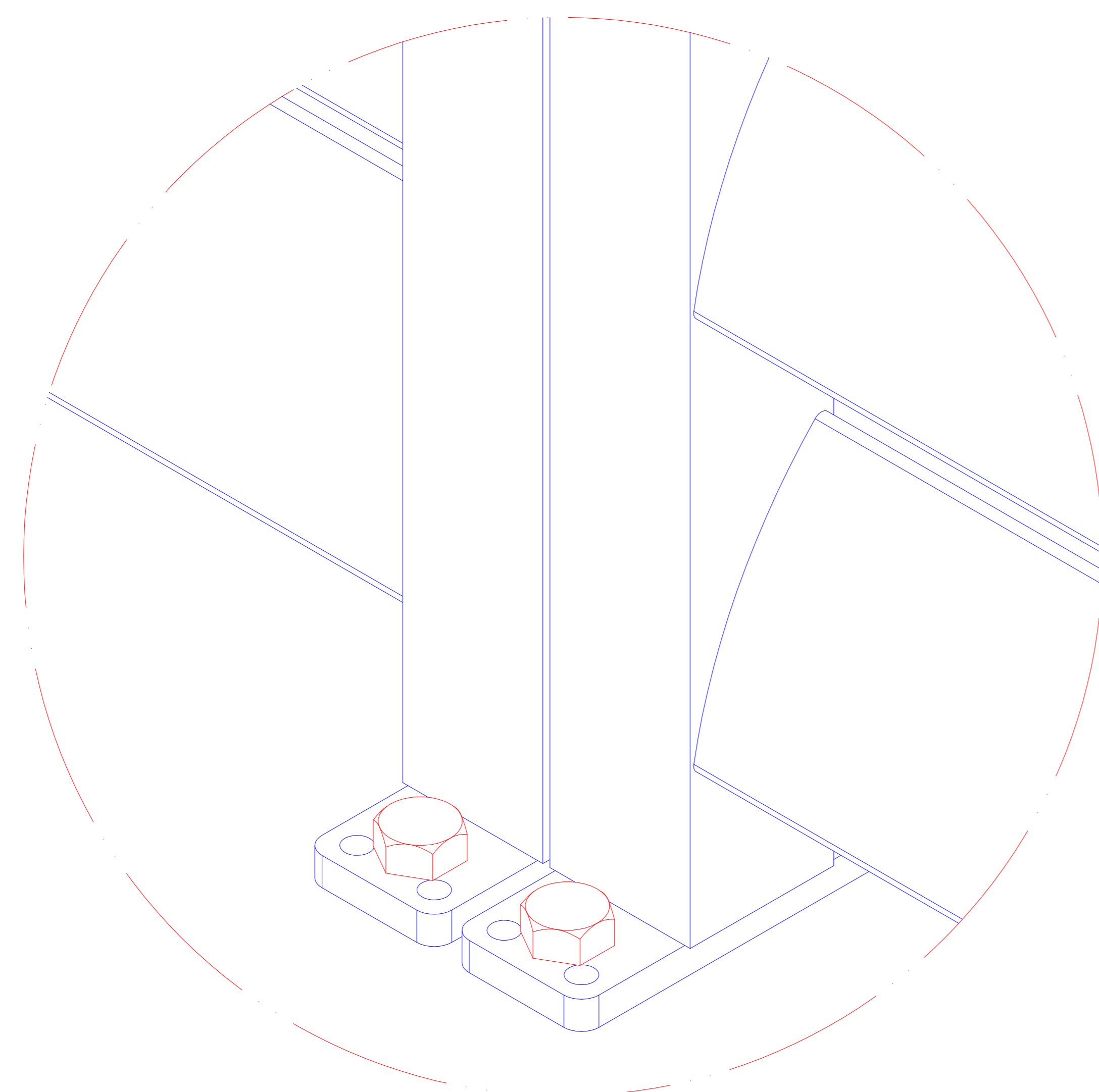
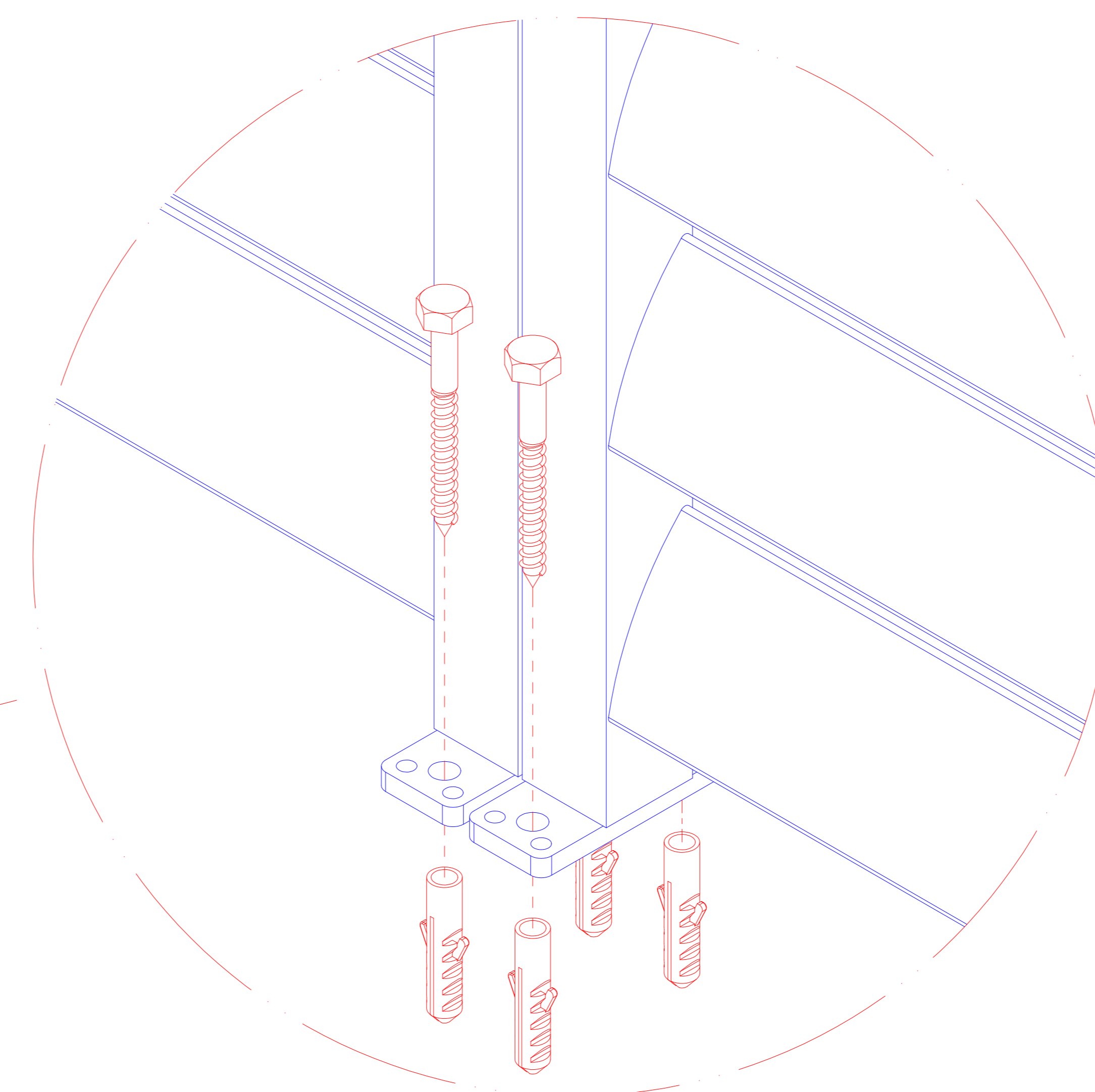
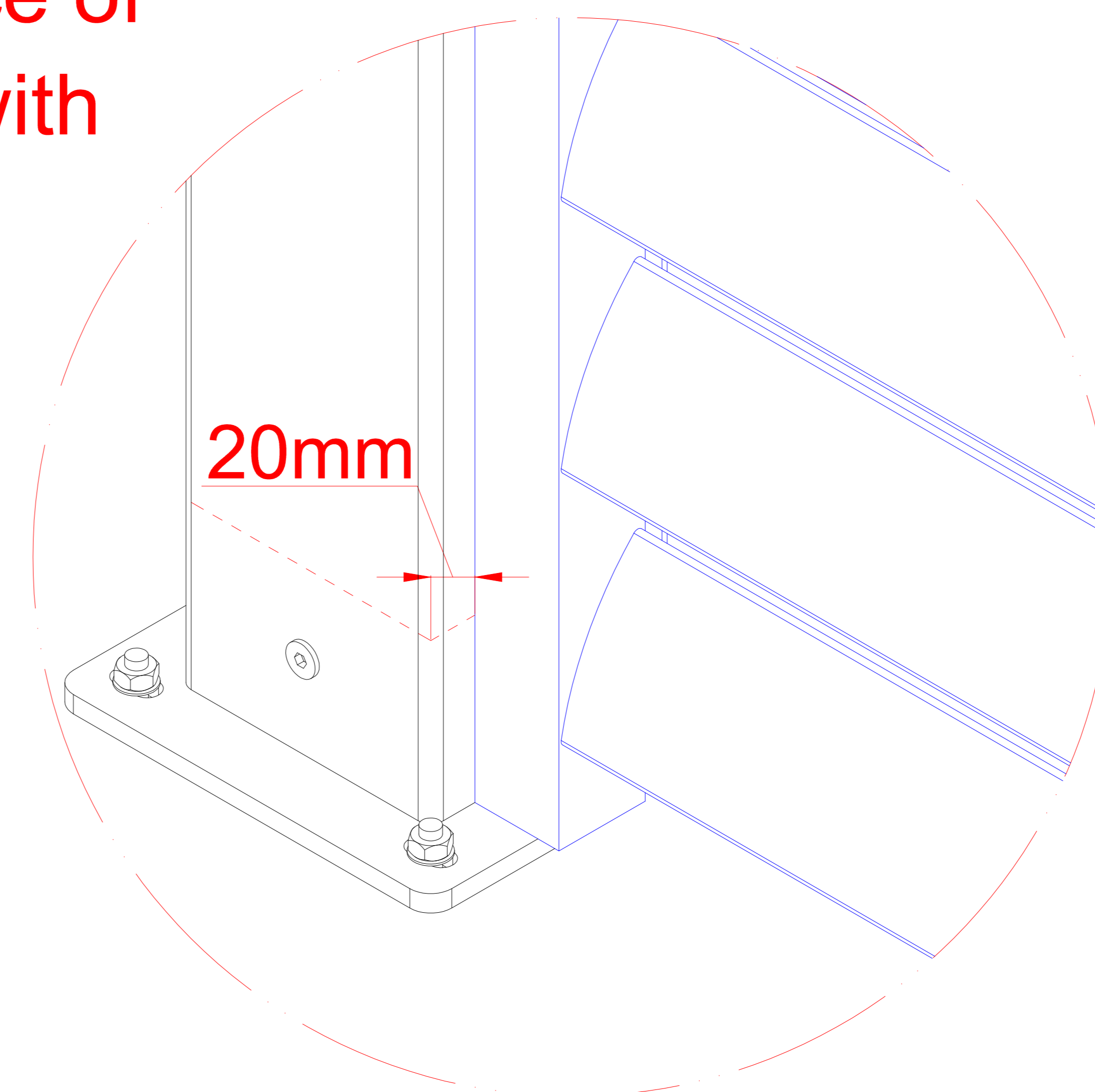
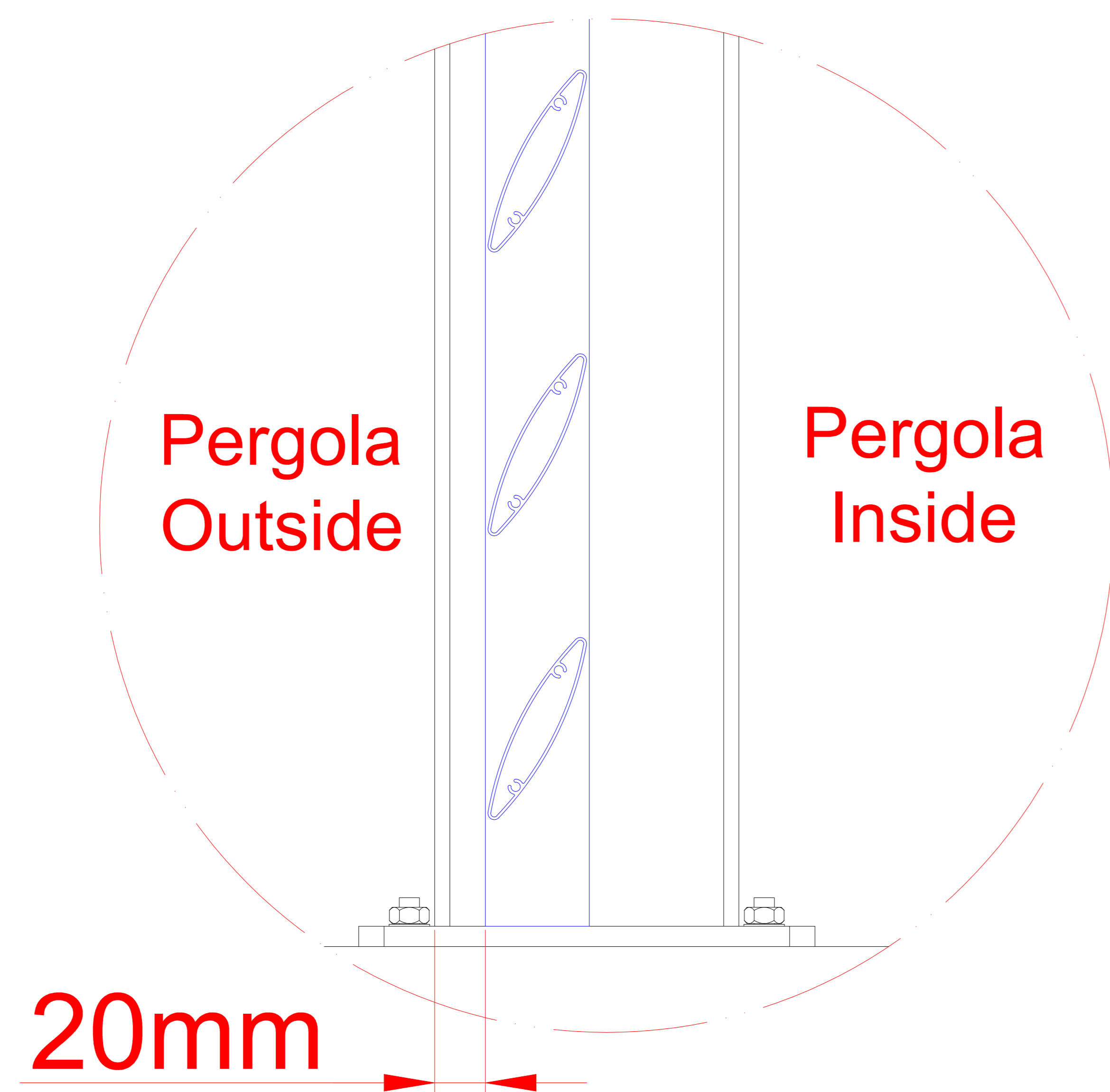
Dim.(cm) : 132.9(W) x 232.5(H)



1. As shown, please follow the steps to use M5.5*25 screw to fix the base plate.

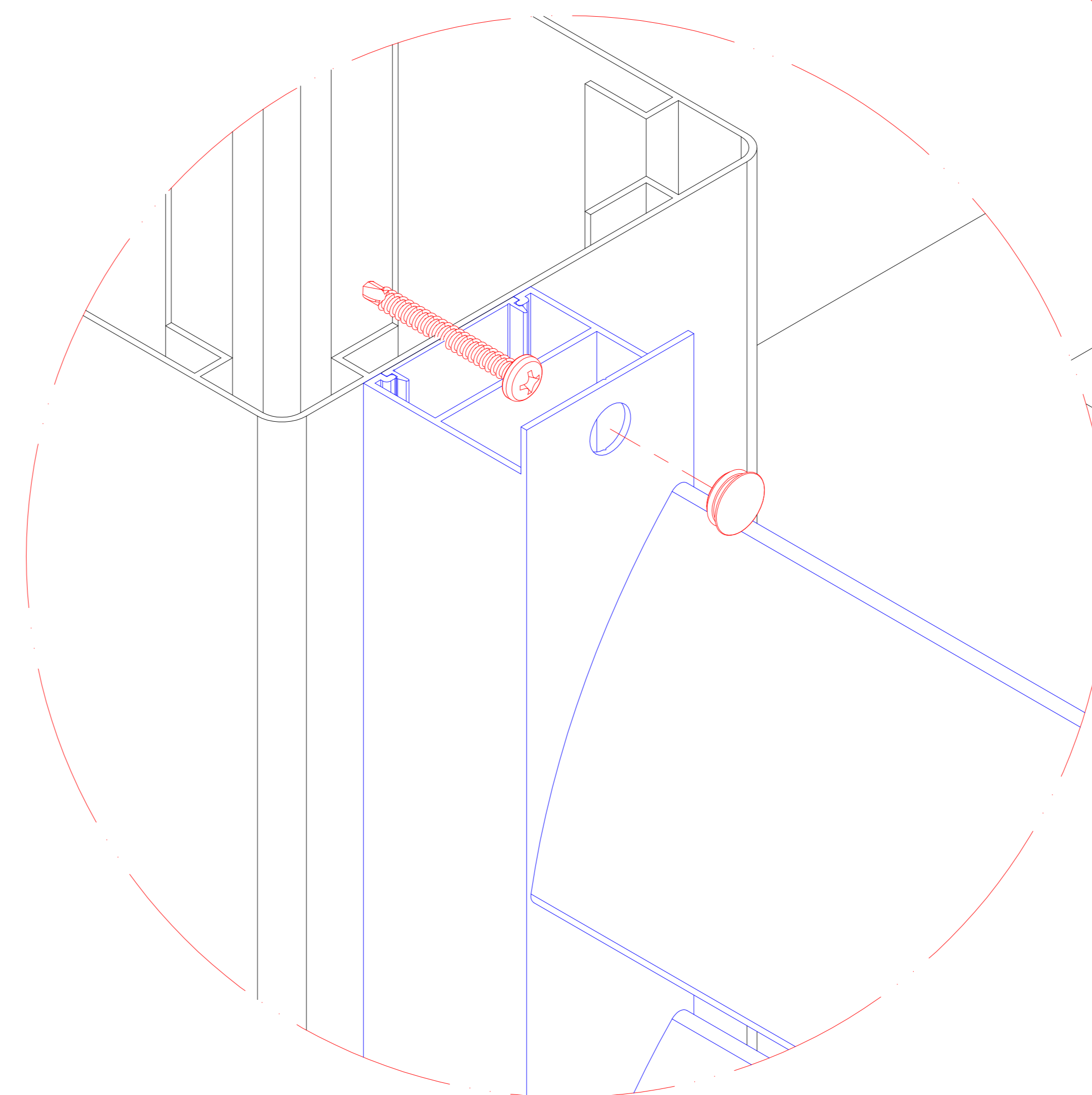
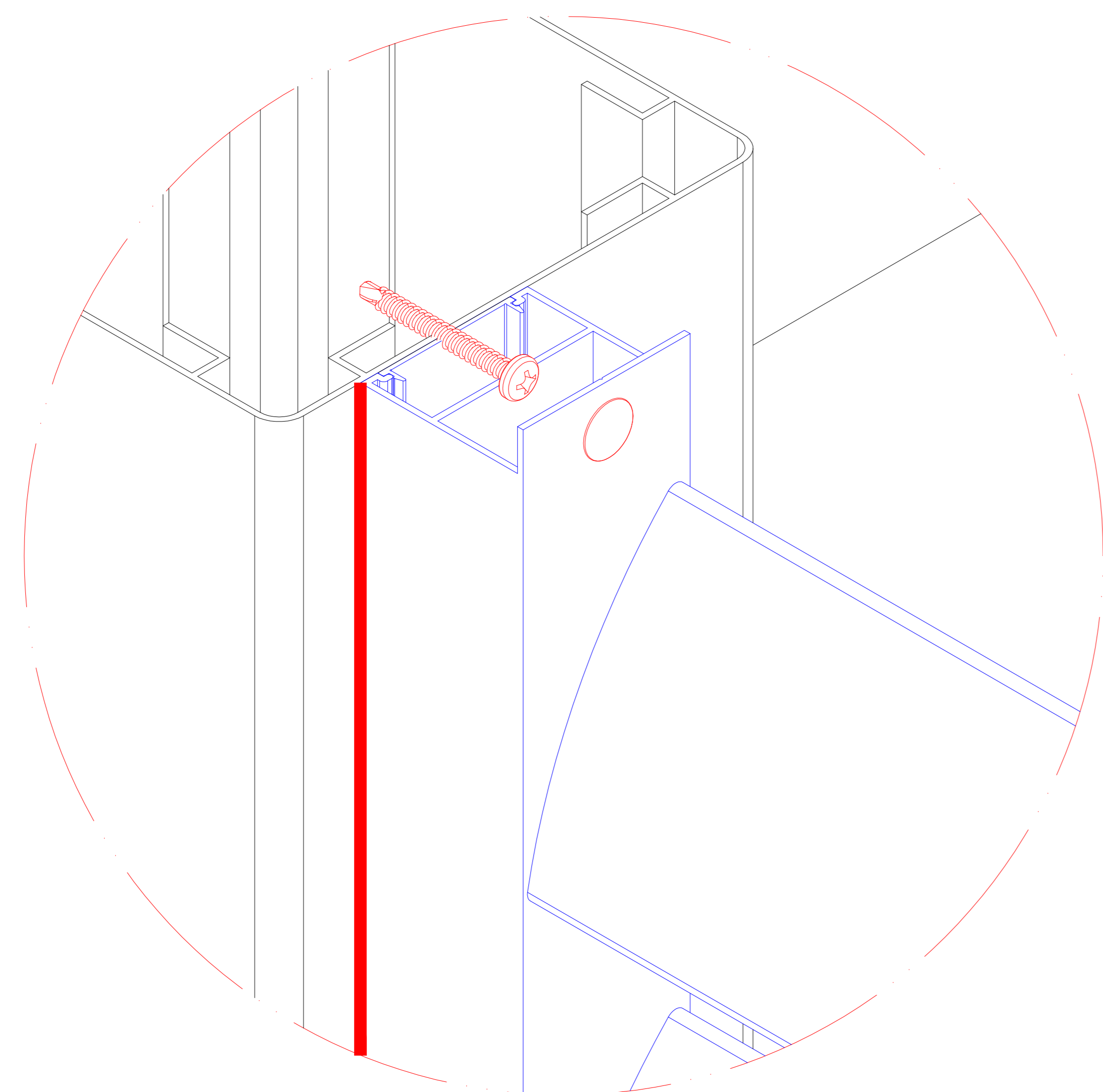
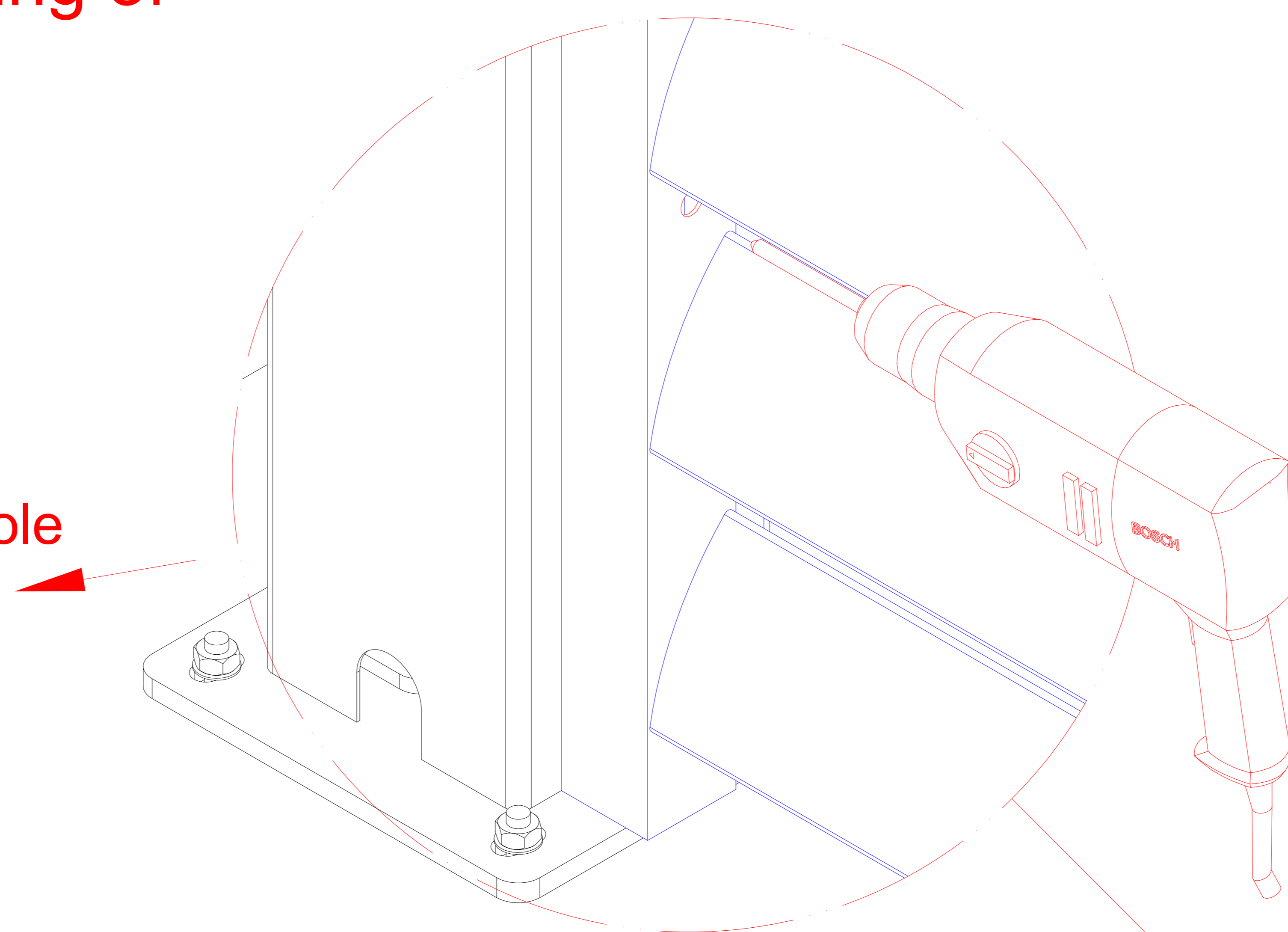
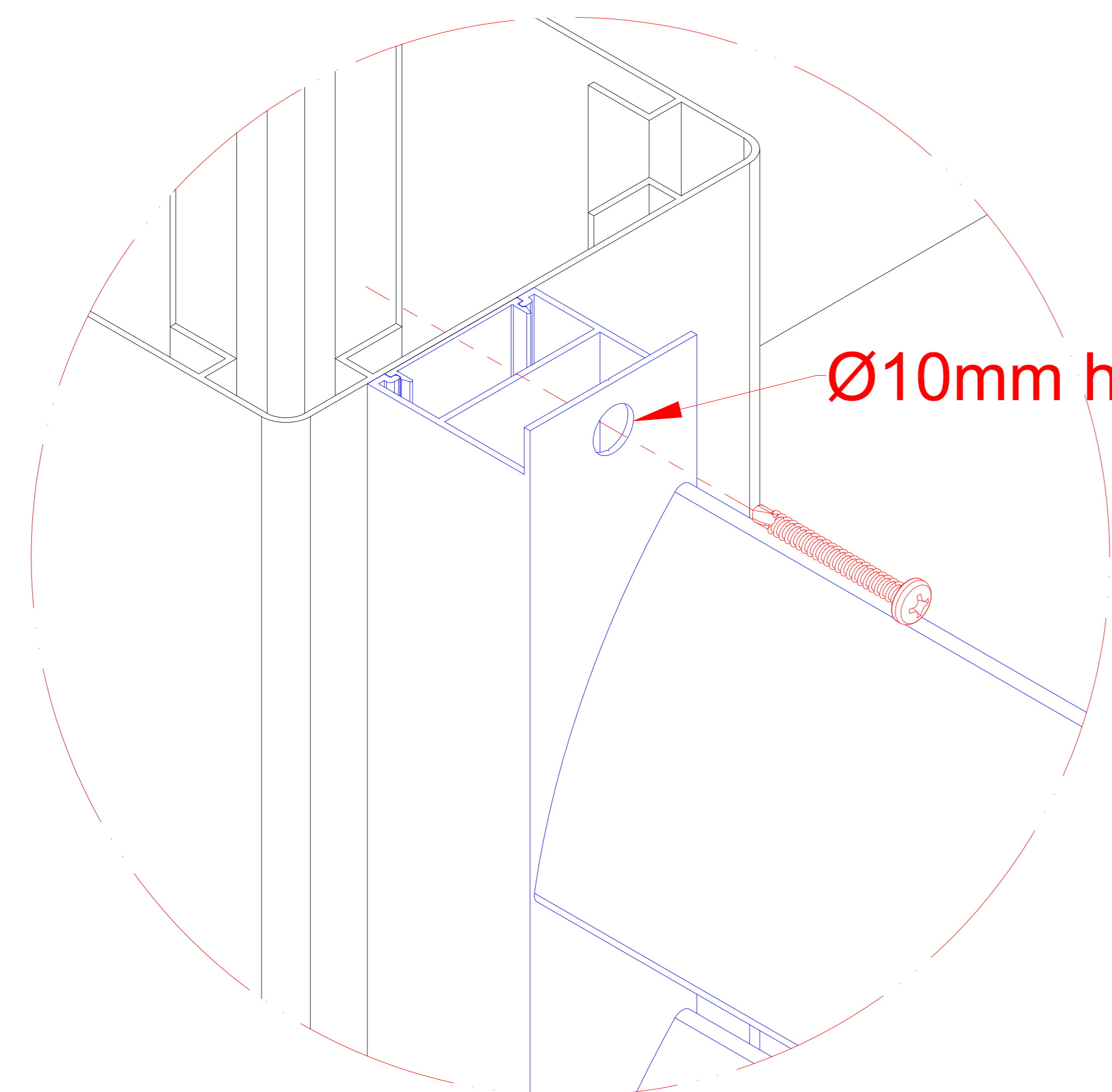
Please refer to the following page for the position of fence direction and base plate.

2. As shown, please place the fence at a distance of 20mm from the edge of the pergola post (flush with the pergola beam).



3. After determining the position, fix the base of the fence with M10*100 wood screws and rubber particles.

4. As shown, please use M4.2*38 screws to fix the fence on the pergola, and apply a ring of sealant around the fence to fill the gap.



Sealant

900mm

